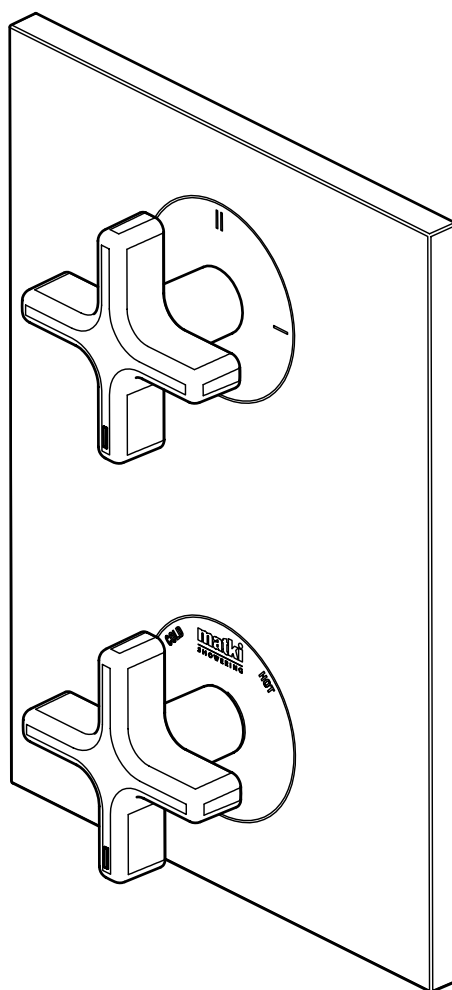
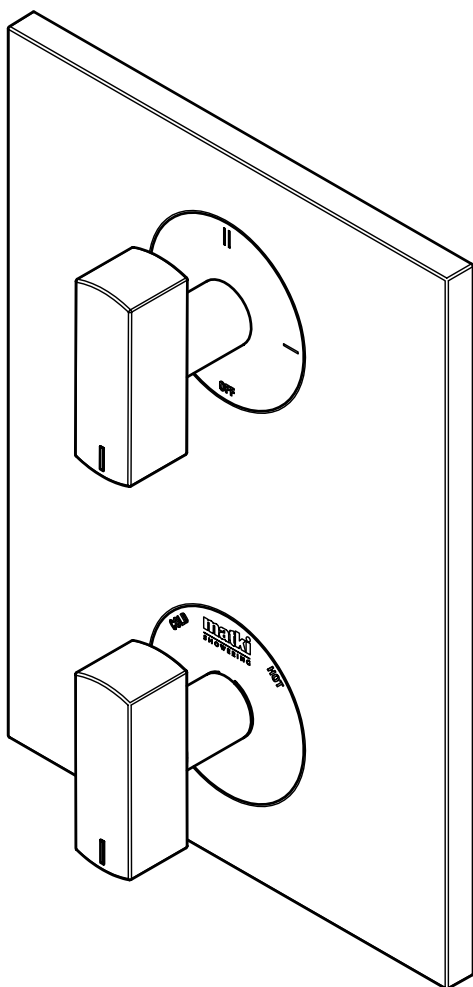


matki | SHOWERING

NEW ELIXIR CONCEALED THERMOSTATIC SHOWER LINEAR DESIGN EX05/I CROSS DESIGN EX05/X

INSTALLATION

PARTS LIST



1. IMPORTANT

Please read complete installation instructions before fitting.
Specification. TMV2 valve for use with High and Low Pressure

Condition of use for type 2 valve	High Pressure	Low Pressure
Maximum static pressure - Bar	10 Bar	10 Bar
Flow pressure Hot and Cold - Bar	0.5 to 5.0	0.1 to 1
Hot Supply Temperature °C	55 to 65	55 to 65
Cold Supply Temperature °C	Equal to or less than 25 °C	Equal to or less than 25 °C

Valves operating outside these conditions cannot be guaranteed by the Scheme to operate as Type 2 valves.

For Dynamic flow pressures above 6 bar fit pressure reducers.

Maximum Dynamic flow pressure ratio between hot & cold inlet supplies = 5:1

Optimum performance when inlet pressures are nominally balanced to within 10% of each other during flow.

The shower mixer can accept temporary elevated temperatures to 85°C without damage.

Hot water storage temperatures should be maintained between 60-65°C.

Recommended outlet temperatures

44°C for bath fill see notes below

41°C for showers

41°C for washbasins

38°C for bidets

Mixed water temperatures must never exceed 46°C.

The maximum mixed water temperature can be 2°C above the recommended maximum set outlet temperatures.
Note.

46°C is the maximum mixed water for a bath tap. The maximum temperature takes account of the allowable temperature tolerances inherent in thermostatic mixing valves and temperature losses in metal baths. It is not a safe bathing temperature for adults or children.

The British Burns Association recommends 37 to 37.5°C as a comfortable bathing temperature for children. In premises covered by Care Standards Act 2000, the maximum mixed water outlet temperature is 43°C.

The thermostatic mixing valve must be installed in such a position that maintenance of the TMV and its valves and the commissioning and testing of the TMV can be undertaken.

See commissioning notes Stage 8. Setting Temperature

The Mixer is suitable for all water systems including

Gravity fed, Pumped Systems, Combination Boilers, Condensing Boilers, Mains Pressure fed Systems.

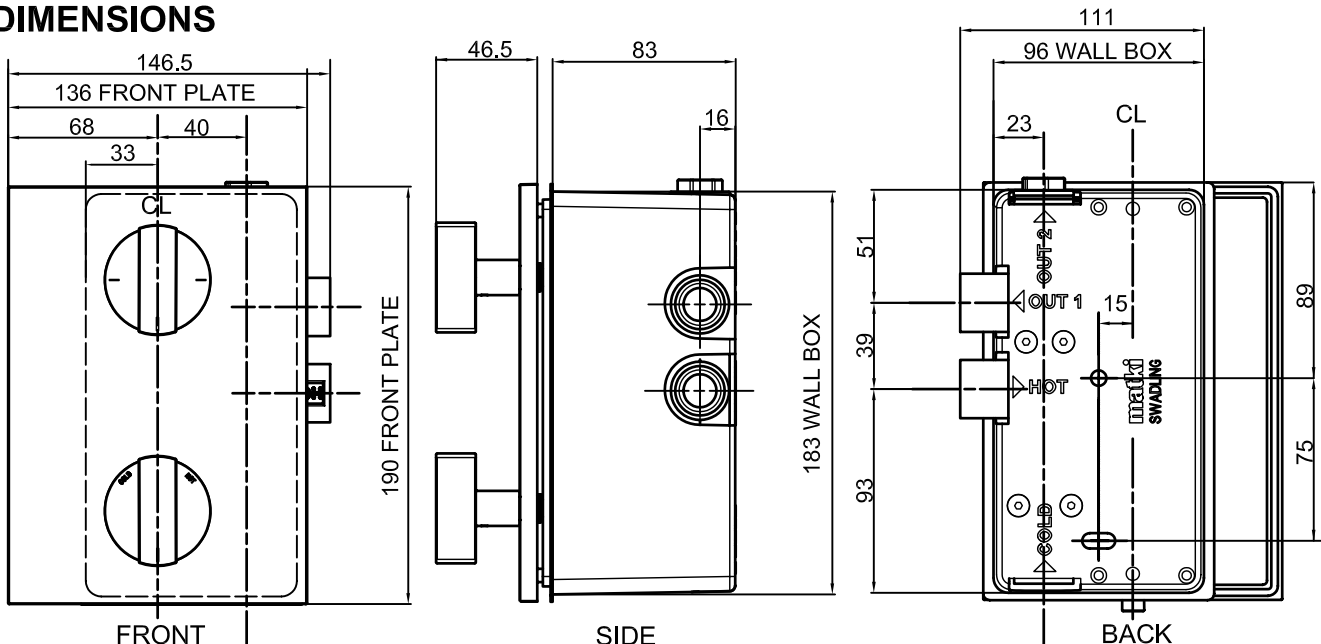
We recommend that to maximize flow rates in low pressure Gravity fed systems that HOT and COLD supply pipe work to the shower valve is 22mm reducing to 15mm close to the inlets.

Fit isolation valves as close as is practicable to both the HOT and COLD inlet supplies.

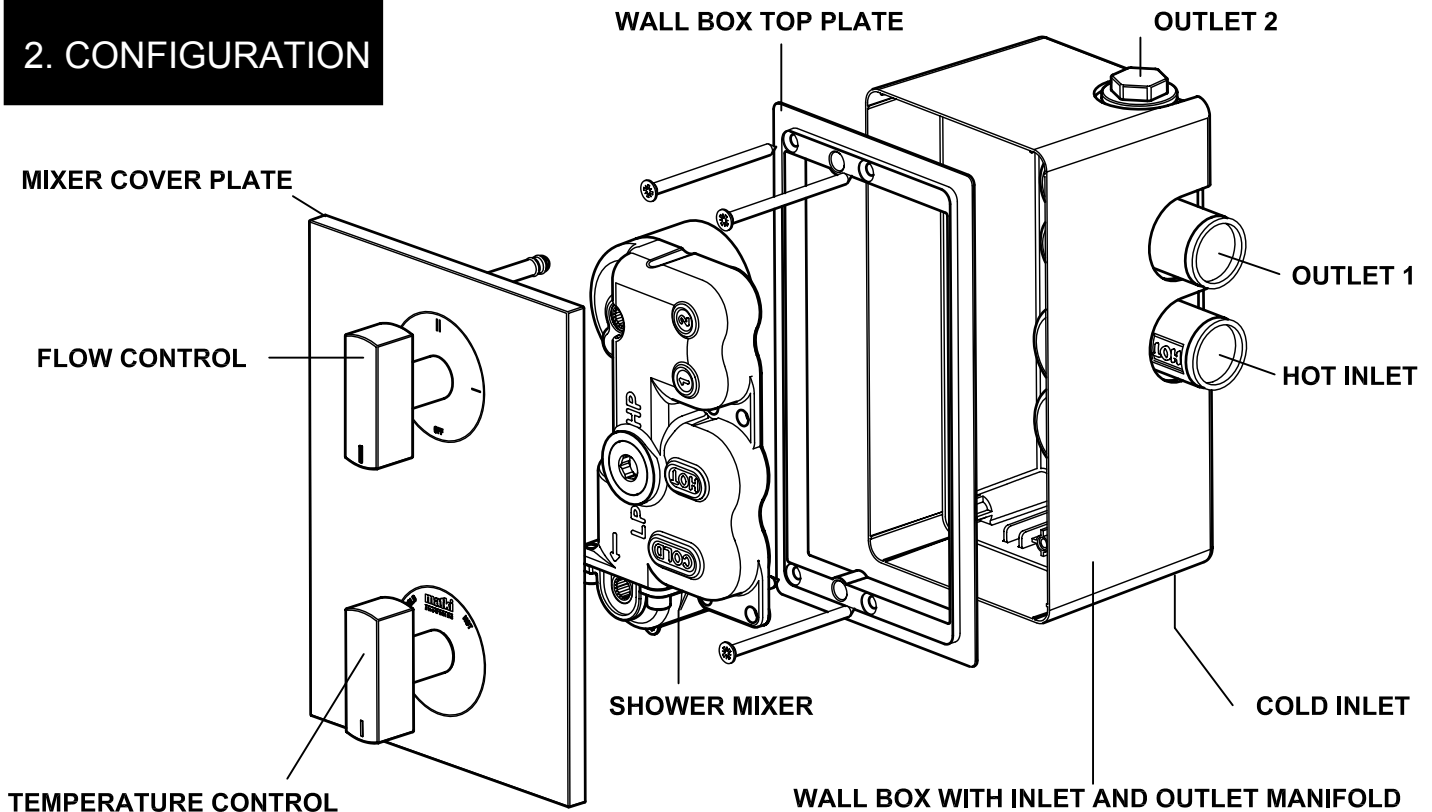
Before disposing of the carton and/or commencing assembly, please check all the parts to ascertain that none are missing and they are all undamaged. No claim for missing/damaged parts will be accepted once the packing carton has been disposed of and/or assembly has commenced.

In case of query contact your Stockist with details of model number, finish and serial number.

DIMENSIONS



2. CONFIGURATION



The Shower mixer is designed for a 2 stage installation. The first fit wall box manifold can be plumbed and both inlet and outlet connections can be tested and flushed through before fitting the mixer and mixer cover plate. Most problems with any thermostatic shower mixer are caused by debris from new pipe work getting into the thermostat when it is first installed. It is important to flush out all new pipe work before commissioning. The hot and cold inlet non-return valves are fitted with strainers.

The concealed shower mixer is supplied with an integral diverter, on/off flow control. The wall box manifold has 2 inlets Hot & Cold. The manifold has 2 controlled outlets.

Outlet 1 is the default outlet, **Outlet 2** is fitted with a sealed blanking plug.

The blanking plug on **Outlet 2** can be removed to plumb an overhead shower head or body jets.

Alternatively the blanking plug can be removed and used to blank off **Outlet 1** if **Outlet 2** is the preferred default outlet.

See 5.Operation, before plumbing.

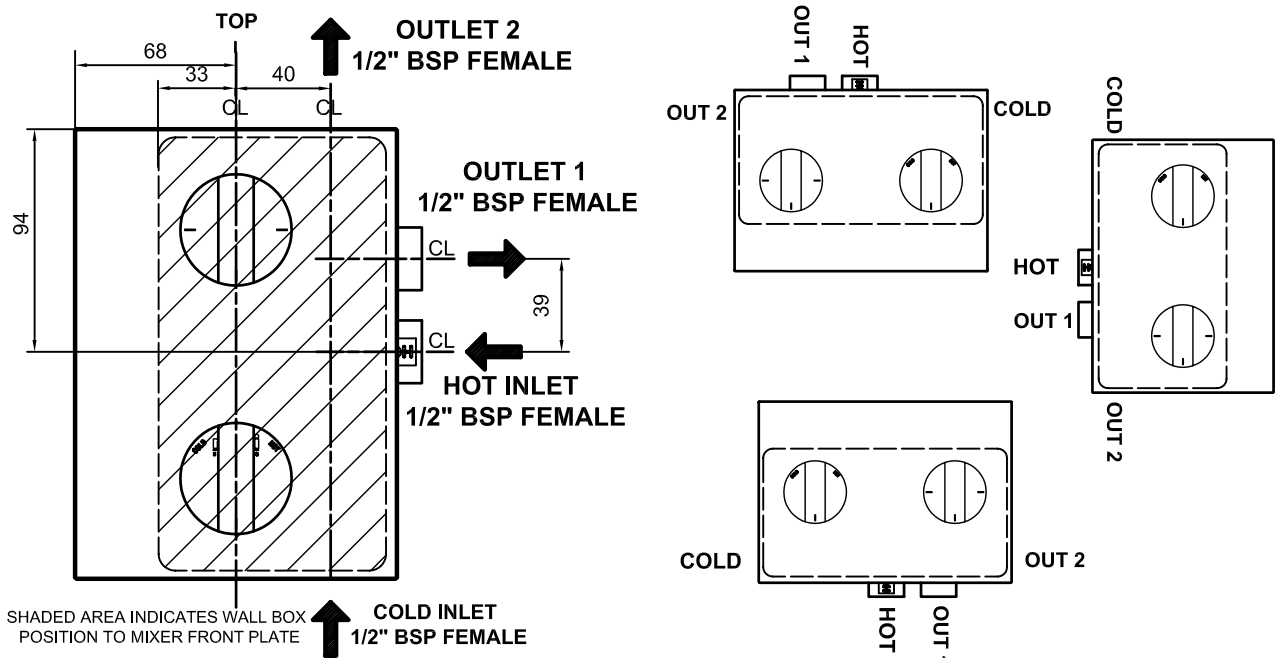
The Elixir Cross and linear design concealed Shower Mixers can be plumbed vertically or horizontally.

The graphic discs under the controls can be rotated to suit the plumbing orientation. See Handle Disc Rotation

The Hot & Cold inlets and outlets on the manifold are $\frac{1}{2}$ " BSP Female parallel threaded connections.

The Hot & Cold inlets and Outlet 1 are fitted with red plastic dust covers please remove before plumbing.

Important, do not use tapered threaded adaptors when connecting for Hot & Cold inlets and outlet plumbing.

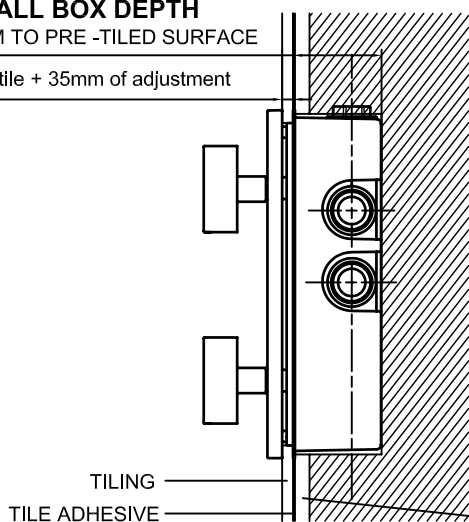


3. WALL BOX / MANIFOLD FIRST FIT

MINIMUM WALL BOX DEPTH

48mm MINIMUM TO PRE -TILED SURFACE

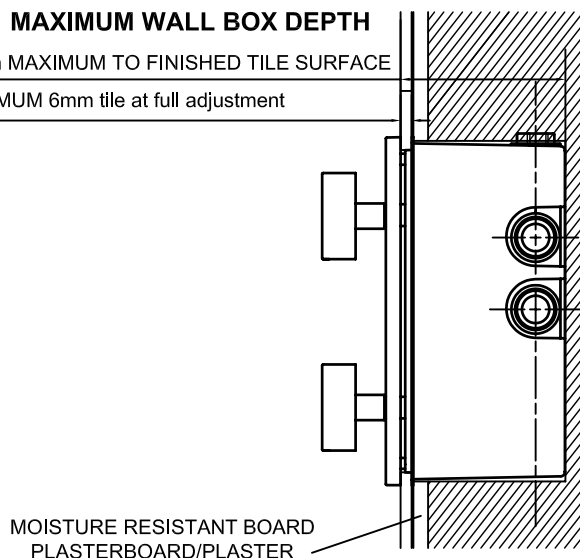
MINIMUM 6mm tile + 35mm of adjustment



MAXIMUM WALL BOX DEPTH

90mm MAXIMUM TO FINISHED TILE SURFACE

MAXIMUM 6mm tile at full adjustment



The concealed mixer wall mounting box inlet / outlet manifold can be fitted at a range of depths by cutting the wall box sides down to suit the required depth. The mixer cover plate has a depth adjustment range of **35mm**. When the mixer control plate is fitted to the wall box the **minimum tile thickness that can be used is 6mm + 1mm of adhesive**. The minimum depth of 48mm for the wall box indicates the minimum trimming depth possible to the pre-tiled surface. The maximum depth 90mm is the maximum depth possible to the finished tiled surface when fitting the wall box without cutting down the wall box sides. If using thicker tiles than 6mm the maximum mounting depth of the wall box will need to be reduced so that the total depth to the finished tile surface is maximum 90mm. See guide below.

Minimum 48mm (+) to pre-tiled surface.

Minimum possible with tile thickness of 6mm +1mm adhesive.

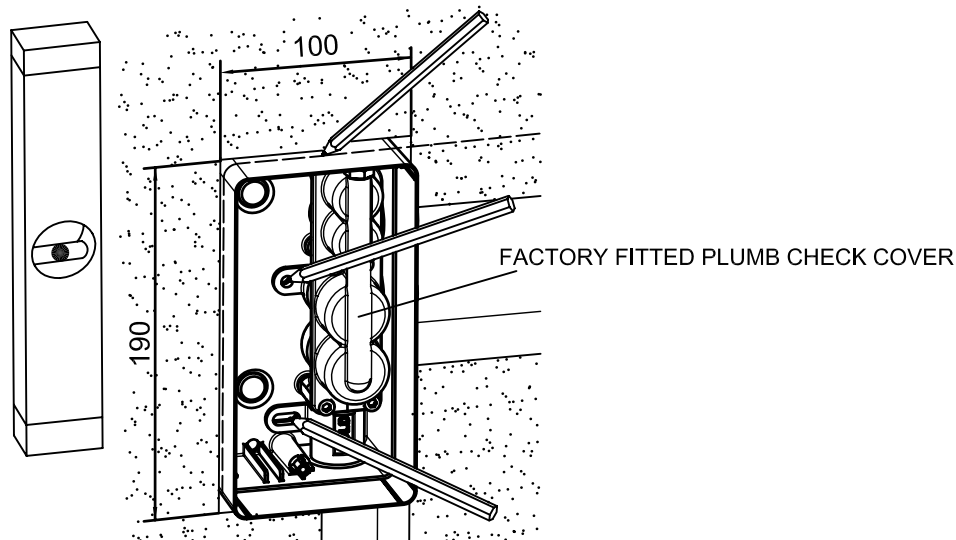
With thicker tiles minimum = 48 + tile thickness - 7mm.

Maximum 90mm (-) to finished tiled surface.

Maximum possible with tile thickness of 6mm +1mm adhesive.

For thicker tiles maximum = 90 - tile thickness + 7mm.

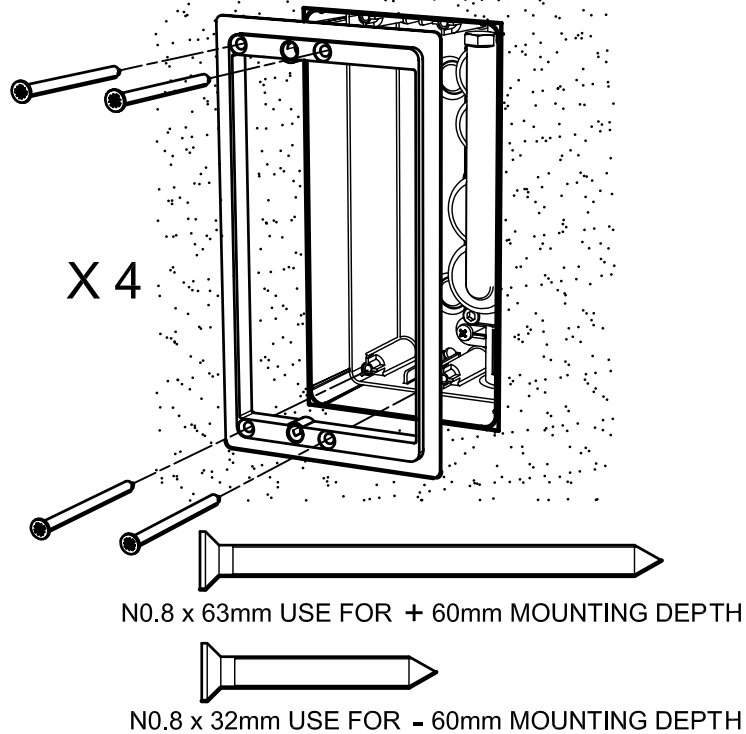
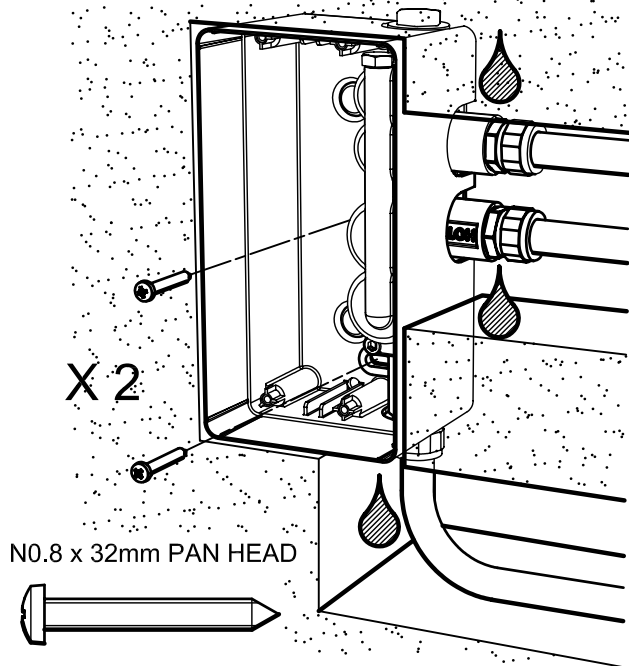
Please also allow for plasterboard/plaster or moisture resistant board in mounting depth calculations.



If mounting the wall box into a wall recess the dimensions required to fit the wall box are 100mm x 190mm as shown. Firstly remove the wall box top plate and the No.8 x 63 csk screws and safely store in valve box . Before plumbing and fitting the wall box/ manifold connections the wall box sides can be trimmed back to, or below the finished pre -tiled surface. If plastering up to the wall box the sides of the box can be trimmed back to the plastered surface after the plumbing connections have been made and tested. (See 4. Wall Box / Manifold Plumbing) Mark the cutting level of the wall box with a felt pen. Then using a junior hacksaw cut the 4 curved corners of the box to the marked level. The box can be cut between the corner level using a cutting knife or sharp scissors. Alternatively score between the cut corners then bend and snap the waste sides off the wall box.

The wall box is fixed to the mounting surface using the hole and slotted fixing lugs in the manifold. Level the wall box for vertical and mark the position of the fixing holes. Drill and fit wall plugs as required.

4. WALL BOX / MANIFOLD PLUMBING



Plumb the Wall box / manifold into position and fix the wall box with the No.8 x 32 Pan head Screws(1471 A SILVER) through the fixing lugs into the manifold casting. Check that the wall box is level adjust as required.

Inlet and outlet threaded joint connections should be made with PTFE tape. Oil based, non setting jointing compounds should not be used. The manifold is factory fitted with a black Plumb Check Cover which houses the non return check valves. The Plumb Check Cover can be used to test the inlet and outlet joints for leakage and for flushing the supply pipes before connecting the shower valve. **Temporary** stop ends could be fitted to the plumbed Outlet(s) to apply back pressure to plumbing connections. **Check that there are no leaks from the wall box manifold casting.**

Important, the Plumb Check Cover will not stop the flow of water through the manifold. It is a temporary cover to flush the pipework before fitting the thermostatic mixer and to protect the manifold inlets from dirt and dust when tiling or plastering in the wall box. Isolate both the hot and cold inlet supplies after flushing pipework or leaving the plumb check cover fitted before fitting the shower mixer. Do not use to isolate the hot and cold inlet supplies.

Fit the wall box top plate to the wall box and onto the pre- tiled surface using the fixing screws supplied.

Do not overtighten and distort the plate. **The wall box top plate must be fitted in all installations.**

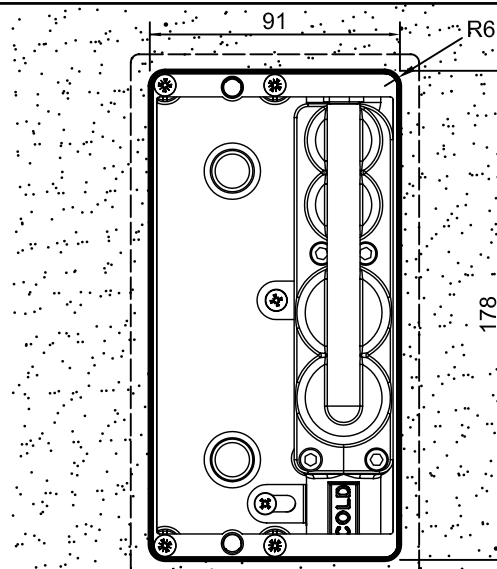
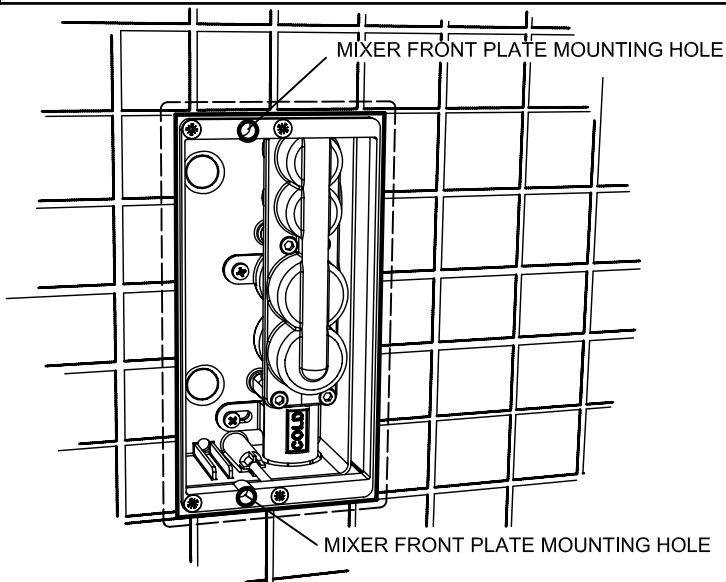
On installations with a mounting depth **greater** than 60mm use the No.8 x 63mm csk screws. (1302 A SILVER)

On installations with a mounting depth **less** than 60mm use the No.8 x 32mm csk screws. (1478 A SILVER)

Tile over the wall box top plate flange and up to the inner upstand this will ensure that the mixer cover plate will overlap tiling.

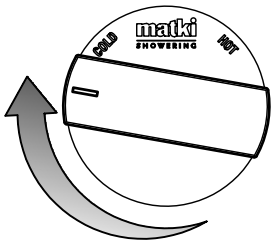
Remove any excess grout from the two mixer cover plate mounting holes in the wall box top plate. If fitting a panel over the wall box and the wall box top plate the aperture required for the wall box top plate is 91mm x 178mm.

This gives 1mm clearance all around the wall box top plate upstand.

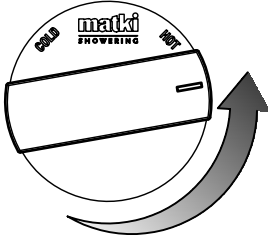


5. OPERATION

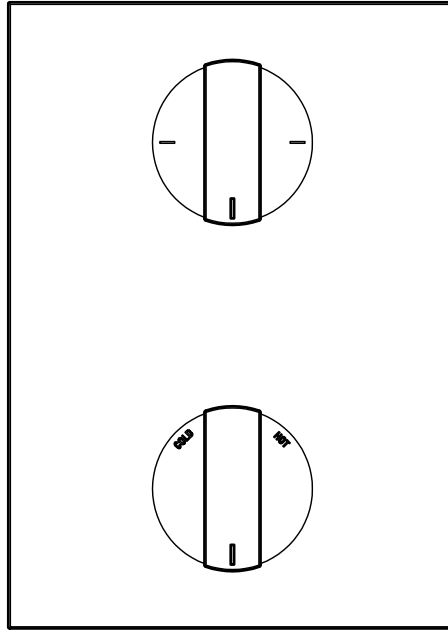
TEMPERATURE CONTROL



ROTATE CLOCKWISE FOR COLD

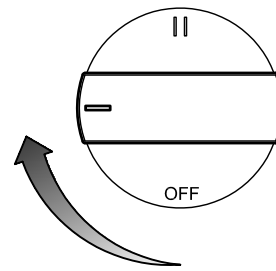


ROTATE ANTICLOCKWISE FOR HOT



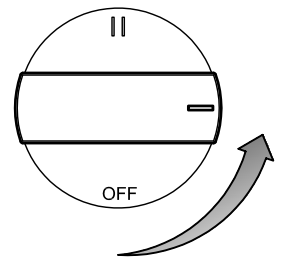
FLOW CONTROL

OUTLET 2

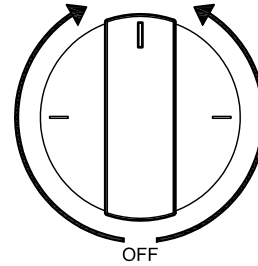


OFF

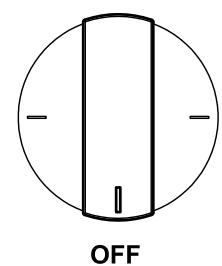
OUTLET 1



OFF

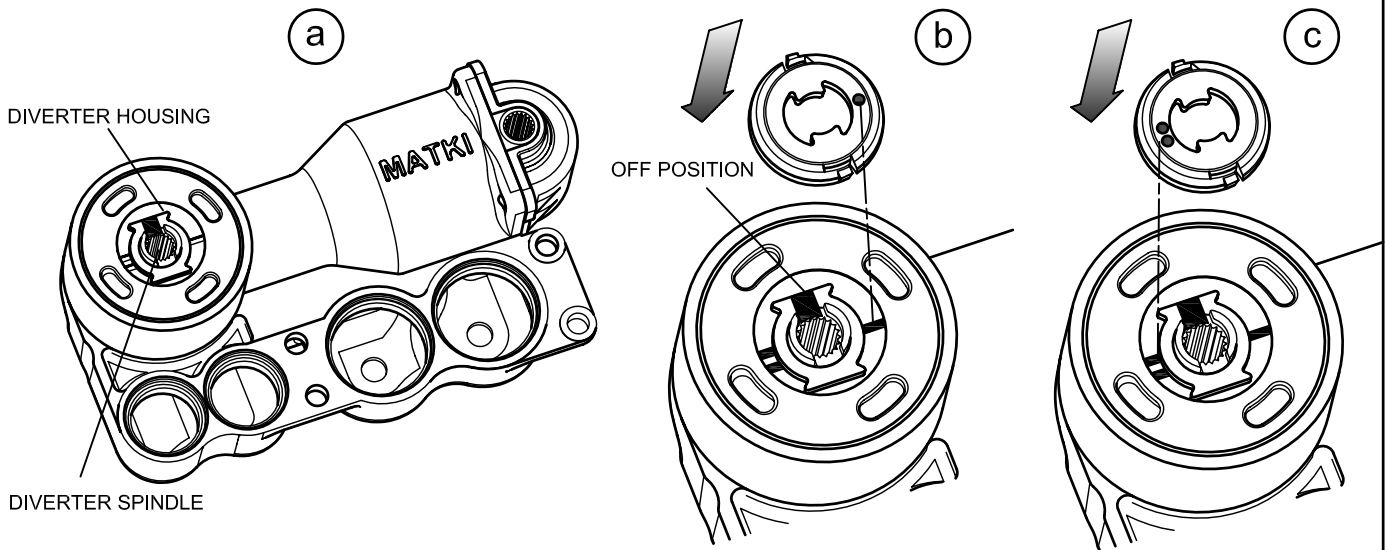


OFF



OFF

BOTH 1 & 2 OUTLETS



The Shower mixer Diverter cartridge is factory set to control the flow of mixed water to **Outlet 1** or **Outlet 2** or to both Outlets. Outlet 2 has been sealed with a blanking plug on the Wall box manifold so that **Outlet 1** is the default outlet.

Outlet 2 can be changed to the default outlet by fitting the blanking plug to **Outlet 1** on the wall box manifold.

1. To activate both **Outlet 1 & 2** remove the sealed blanking plug on outlet 2 on Wall box / manifold and plumb as required.
2. The Diverter cartridge can also be simply converted to an on/off quarter turn flow control to supply only Outlet 1 or Outlet 2.

Converting the Diverter Cartridge to an on/off quarter turn control for only Outlet 1 or only Outlet 2.

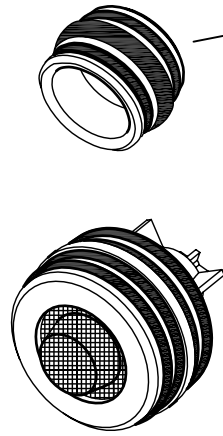
The **off** position of the Diverter cartridge has been marked at the factory with a black marker line across the top of the green Diverter housing and across one edge of the brass central diverter spindle. (a)

Check the Diverter is in the off position before fitting the relevant Diverter stop ring.

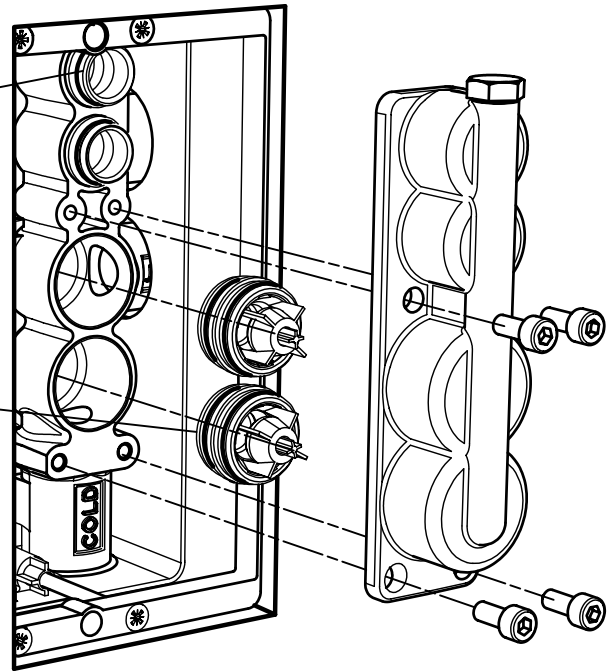
1. To convert to an **on/off** on **Outlet 1**, snap fit the white Diverter stop ring with **1 dot** (kit of parts) to the diverter spindle so that the dot aligns with the single recessed line on the top of the green Diverter housing. (b)
2. To convert to an **on/off** on **Outlet 2**, fit the white Diverter stop ring with **2 dots** (kit of parts) to the white Diverter spindle so that the 2 dots align with the two recessed lines on the top of the green diverter housing. (c)
3. The stop ring can be removed by using a small flat blade screwdriver, lever by the the clip details.

6. FITTING MIXER

OUTLET JOINT x 2



NON RETURN VALVE FOR HOT AND COLD INLETS x 2



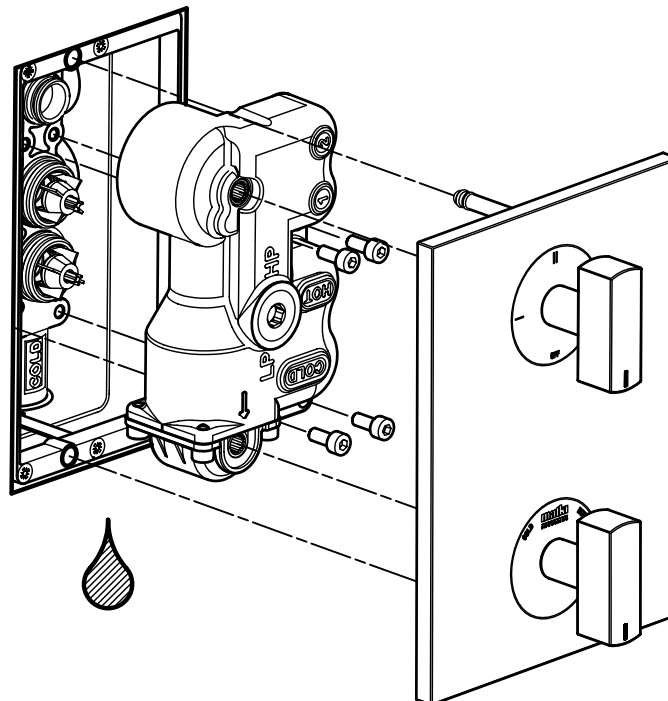
Before fitting the Shower Mixer turn off the hot and cold inlet supplies.

Remove the Plumb check cover plate by unscrewing the 4 x M5 x 12 socket cap screws from the manifold with the allen key supplied in the kit of parts, these screws are also used for fitting the shower mixer. There will be some water still retained in the system from flushing the pipework which will briefly flow until drained. Dry the area before fitting the shower mixer. Remove the hot and cold non return valves from the manifold, check for debris from flushing the pipework on the gauze filter on the bottom of the non return valves. Clean if required and refit the non return valves into the Wall box manifold.

Important, fit the non return valves with the gauze filter facing down into the manifold.

When removing the the Plumb check cover the non return valves and outlet joints may be retained in the Plumb check cover, remove them and fit them into the wall box manifold before fitting the shower mixer.

We advise that you keep the Plumb check cover it could be used again in a maintenance situation.



Push fit the Shower Mixer to the manifold onto the inlet and outlet joints.

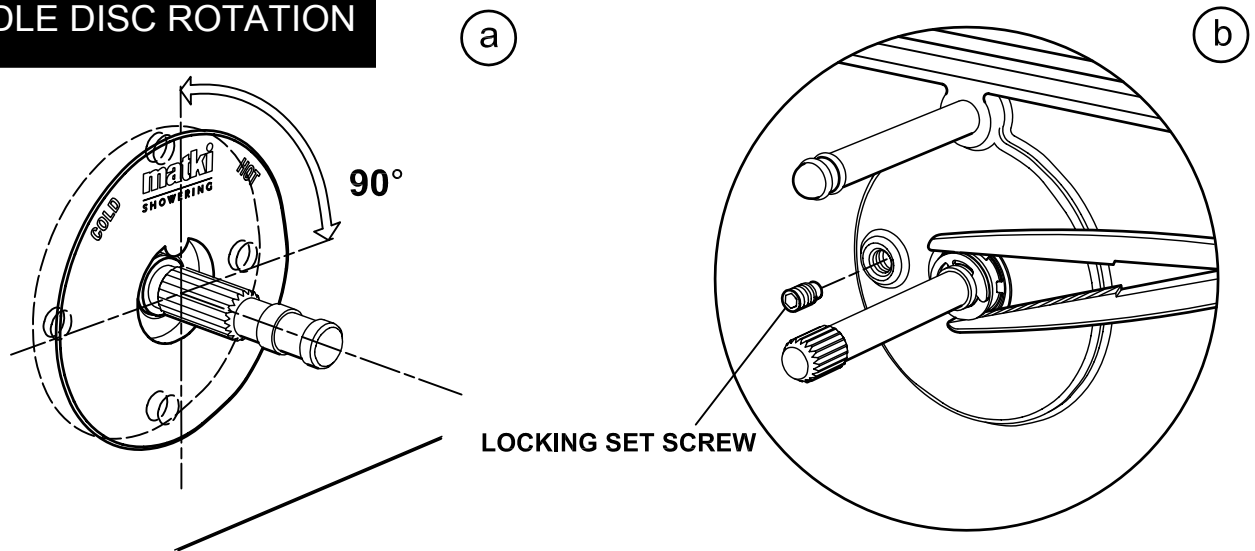
Secure the shower mixer with the 4 x M5 x12 socket cap screws used to fit the Plumb check cover.

Turn on the water supplies. Fit the mixer cover plate **temporarily** to the shower mixer to test the operation of the mixer.

Carefully guide the handle spindles into the splined shaft in the temperature and flow control cartridges and the plate support pins into the wall box top plate and push the cover plate into position.

1. Test the operation of the flow control to the outlet(s).
2. Test the operation of the temperature control from hot to cold.
3. Check the inlet and outlet joints between the manifold and mixer for leakage. See 7. Trouble Shooting, if required.

HANDLE DISC ROTATION



The graphic discs under the handles can be rotated to suit the plumbing orientation of the mixer.

The back of the discs have 4 indexing recesses positioned at every 90°. **(a)**

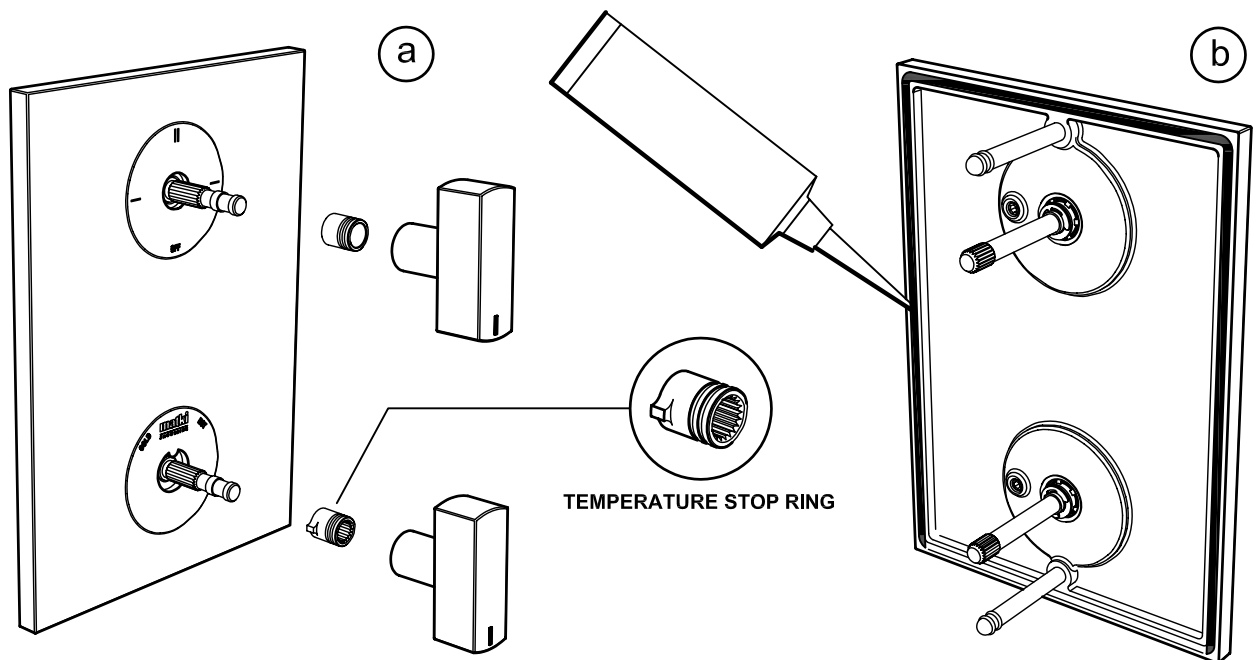
To rotate the discs firstly remove the disc locking set screw on the back of the plate using the 2.5mm Allen key supplied.

From the back of the mixer plate use a pair of thin nosed pliers around the disc boss to rotate the disc. **(b)**

The disc will be correctly indexed when the locking screw hole aligns with the relevant index recess in the back of the disc. Lock the disc into the new position with the locking set screw. Lightly tighten the locking screw until it engages into the disc.

Important, do not overtighten, check the disc does not rotate.

7. FIT MIXER PLATE



Before the final fit of the Shower mixer cover plate remove the control handles from the plate.

Loosen the M4 socket set screw under the handle to remove the handles from the spindles using the 2mm Allen key

supplied in the kit of parts. **(a)** Apply a thin bead of silicon sealant in the groove on the back face of the plate on only the top and vertical edges. **(b)** **Do not apply** sealant to the bottom edge of the plate, in the event of an internal leak this will allow for drainage and detection. Fit the mixer cover plate to the shower mixer and wall box pressing firmly onto the finished tiled surface. Clean off any excess silicon after the silicon has cured.

Commissioning notes for Thermostatic Mixing Valves.

Please check the following:

- 1.The designation of the thermostatic mixing valve matches the application.
- 2.The supply pressures are within the valve operating range.
- 3.The supply temperatures are within the valve operating range.
- 4.Isolating valves are fitted.

If all these conditions are met set the temperature as per installation instructions

It is a requirement that all TMV2 approved valves shall be verified against the original set temperature results once a year. When commissioning/ testing is due the following performance checks should be carried out.

Measure the mixed water temperature at the outlet.

Carry out the cold water supply isolation test by isolating the cold water supply to the TMV,wait for five seconds if water is still flowing check that the temperature is below 46°C.

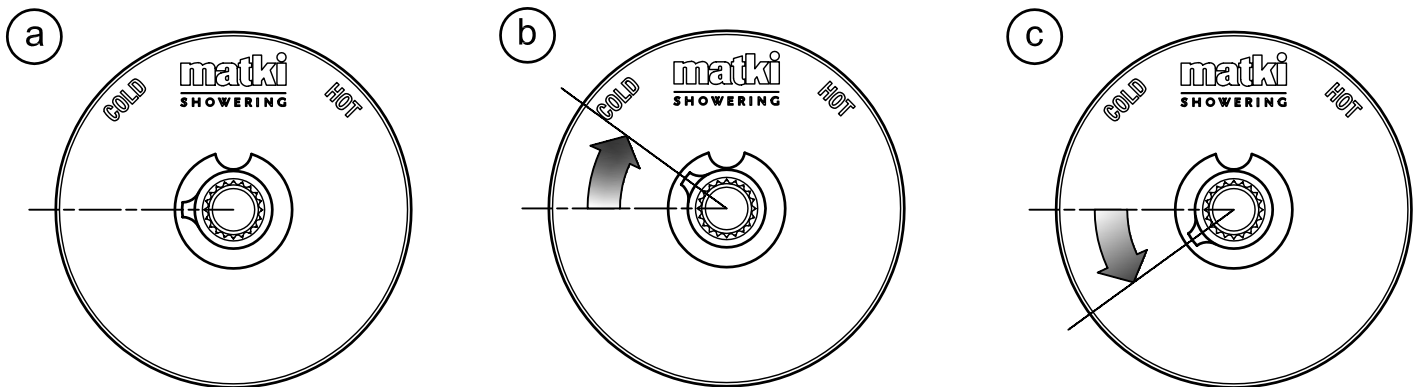
If there is no significant change to the set outlet temperature(+/- 2°C or less change from the original settings) and the fail-safe shut off is functioning, then the valve is working correctly and no further service work is required.

Notes

If there is a residual flow during the commissioning or the annual verification(cold water supply isolation test), then this is acceptable providing the temperature of the water seeping from the valve is no more than 2°C above the designated maximum mixed water outlet temperature setting of the valve. Temperature readings should be taken at normal flow rate after allowing for the system to stabilise. The sensing part of the thermometer probe must be fully submerged in the water that is to be tested. Any TMV that has been adjusted or serviced must be re-commissioned and re-tested in accordance with the installation instructions.

The installation of the thermostatic mixing valve must comply with the requirements of the Water Supply(Water Fittings) Regulations 1999.

8. SETTING THE TEMPERATURE



Important : The maximum hot water temperature must be checked and reset if necessary, prior to the mixer being commissioned to avoid scalding. Check that the hot water system is operational and that the hot water supply has reached the optimum temperature.

The temperature control handle has a separate temperature stop ring which is factory fitted under the handle on the spindle. Firstly remove the temperature stop ring to set the maximum temperature.

The recommended **maximum** hot water temperature from the mixer should not exceed **41 °C**.

Temporarily fit the handle back on the temperature control spindle, rotate to the full cold position and remove the handle.

As a guide refit the temperature stop ring onto the handle spindle in the position shown relative to full cold. (a)

In optimum operating conditions this should be approximately 42 °C, however this position may vary due to fluctuating hot and cold supply inlet temperatures. Test the mixer for correct thermostatic operation check the maximum temperature with a thermometer and adjust the position of the temperature stop ring as required before securing the handle.

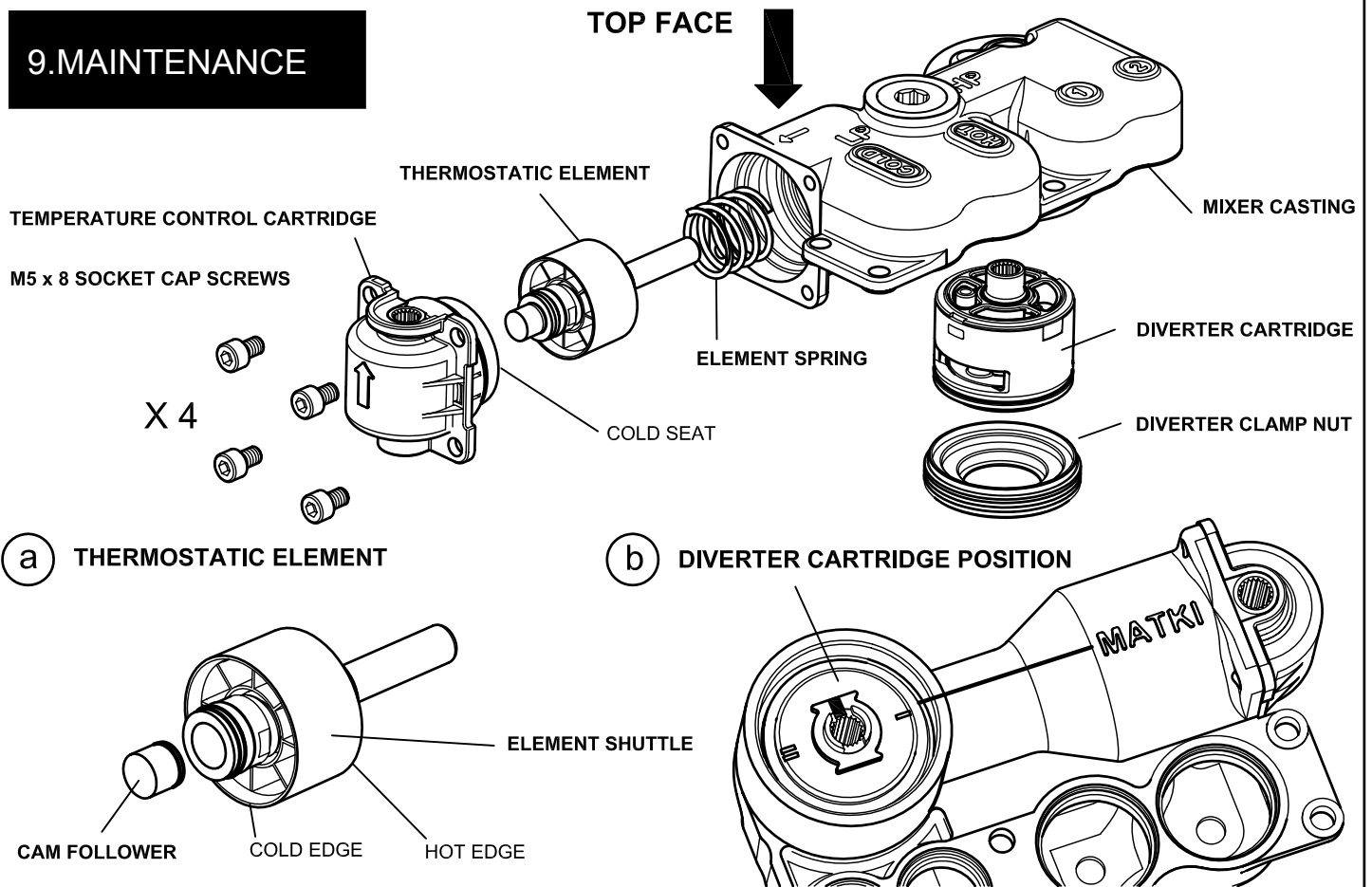
To increase the maximum hot temperature, fit the stop ring on the spindle spline **closer to cold.** (b)

To decrease the maximum hot temperature, fit the stop ring on the spindle spline **closer to hot.** (c)

When the correct maximum temperature is set, fit the handle with the lever aligned to the full **cold** position.

Turn the flow control to off. There is a handle spacer under this handle, fit this handle with the lever aligned to the **off** position.

9.MAINTENANCE



IMPORTANT. Before commencing maintenance on the shower mixer isolate the hot and cold inlet supplies. When maintenance is complete ensure that the shower mixer is checked and fully commissioned before use. (Please see Trouble Shooting Guide 11. for fault references).

Remove the Mixer cover plate and unscrew the M5 x 12 socket cap screws to remove the valve from the manifold.

NON RETURN VALVES. (See Fitting Valve Stage 6.)

Fault 1. Damaged o-rings on non return valve. Replace with part 1602 AF(supplied in the kit of parts SB 2/5245).

Fault 3. Remove and clean any debris and limescale from the gauze filter on the bottom of the part. Clean the non return valves by depressing the plunger and blowing through and refit, or replace with new non return valve part SB 2/5230m

MIXER PERFORMANCE

Fault 6.

Remove the mixer as above and carefully remove the M5 x 8 socket cap screws from the black temperature control cartridge on the mixer body to access the thermostatic element.

The black temperature control cartridge has a rubber seat on the bottom face which is the **cold** seat.

Check for limescale or debris on this seat remove all traces of debris and de-scale as required using a propriety de-scaler. Check for limescale on the cold edge of the thermostatic element shuttle, de-scale as required.

Fault 7.

The **hot** seat is located inside the mixer casting check for traces of debris on this seat and on the hot edge of the thermostatic element shuttle. **(a)** Flush out the mixer body to remove any debris and de-scale the shuttle as above. Alternatively if faults 6 & 7 are not resolved replace with a new thermostatic element assembly SB 2/5211.

Important, on refitting the thermostatic element assembly remember to fit the element spring into the mixer first then the thermostatic element ensuring that the cam follower is positioned in the end of the thermostatic element.

Refit the temperature control cartridge with the arrow on the cartridge pointing upwards to the arrow on the mixer casting (eg. top face of casting).

Fault 8.

Unscrew the Diverter Clamp Nut on the bottom of the mixer to access the Diverter Cartridge.(Insert a flat bladed screwdriver into one notch on the Diverter clamp nut and gently tap in an anticlockwise direction to loosen the nut). Remove the diverter cartridge and replace as required. **Important,** the diverter cartridge should be in the off position when re- fitted.

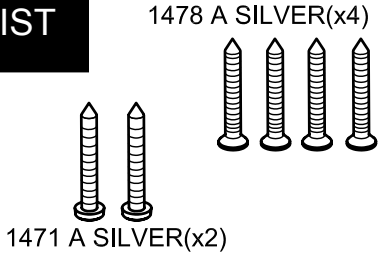
See Operation page 5. The Diverter cartridge can only be fitted in one way please ensure that the guide peg on the bottom of the cartridge locates into the single hole in the mixer casting. As a guide the single recessed line on the top of the diverter housing is positioned on the right and in the direction of the black thermostatic housing. **(b)** Replace the Diverter Clamp nut, tighten the nut in a clockwise direction, the nut **can not** be over tightened, the nut will be flush to the mixer casting when tight. The fully tightened position of the nut has been marked with a line across the nut and body casting. Align these marks.

10. PARTS LIST

SB 2/5305



1818 AF(x2)



1471 A SILVER(x2)

SB 2/5240

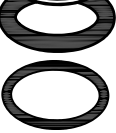
1614 AF(x 2)



SB1891

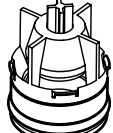


SB1971



SB 2/5230

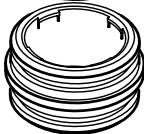
SB 1400



SB 1876



SB 1892



SB 1973 (x 4)



SB 2/5011

1302 A SILVER(x4)

SB 1881

SB 1835



1372 A SILVER(x4)

SB 1798

SB 1834

SB 1875

SB 1880

SB 2/5300

1301 A SILVER (x4)

SB 2/5275

SB 1822

SB 2/5211

1329 AF

SB 1871

SB 2/5200

SB 2/5245

1298 A SILVER (x2)

SB 1973(x2)

1611 AF(x2)

SB 1898

SB 1883

1166 AF

1168 AF

1286 AF

SB 6125/X (CROSS)

SB 6130/I

SB 1848

1298 A SILVER

SB 1847

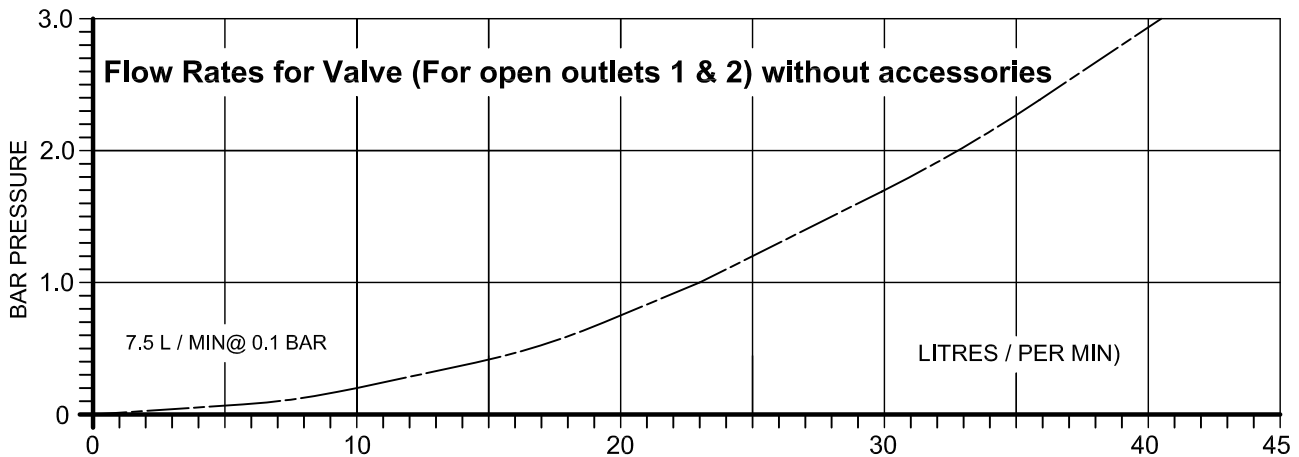
1298 A SILVER

SB 1823

SB 1824

11. TROUBLE SHOOTING GUIDE

1. **Fault, water leaking between Shower valve and manifold.**
Inlet or outlet joints not seated correctly in manifold o-rings not squeezed into inlet or outlet evenly.
Damaged o-rings on inlet or outlet joints in manifold - Replace with spare o-rings supplied in the kit of parts.
2. **Fault, no mixed water to the outlets when turning on the flow control.** See 6. Fitting Mixer.
Non return valves fitted upside down in the wall box manifold.
3. **Fault, cold water cross tracking through mixer into hot water system.**
Non return valves / may need cleaning or replacement. See 9. Maintenance.
4. **Fault, Shower runs Hot when turned to cold, and Cold when turned to hot**
Hot and cold inlet supplies plumbed to wrong inlets on wall box manifold.
5. **Fault, Shower will not run hot when first installed.** See 8. Setting the Temperature.
6. **Fault, Shower only runs cold or luke warm when first installed.** Thermostat may have debris trapped in COLD side of thermostat. See 9. Maintenance. Fault with thermostatic element. Replace with new thermostatic element.
7. **Fault, Shower only runs HOT.** Thermostat may have debris trapped in HOT side of thermostat. See 9. Maintenance. Fault with thermostatic element. Replace with new thermostatic element.
8. **Fault, Shower lets by or constant drips.** Fault in diverter cartridge. Replace diverter cartridge. See 9. Maintenance.
9. **Fault, very low flow or no flow, gravity fed installations.** Very low pressure or blocked filters or pipework.
10. **Fault, no or very little flow, pump fed installations.**
Flow rate may be insufficient to activate booster pump flow switches.
- 11 **Fault, vibration or hammering.** Dynamic pressure ratio between hot and cold inlet supplies greater than 5:1 maximum. For optimum performance the inlet pressures should be balanced to within 10% of each other.



Flow Rate (Litres/min) with Matki accessories	0.1 bar	0.5 bar	1 bar	2 bar	3 bar	Eco		
						1 bar	2bar	3bar
MODEL EX006/X with Easy Clean Hand Shower with Multi function Hand Shower	5	11	14	18	25	11	+/-	10%
	4.5	10.5	13	17	24			
MODEL EX006/I with Square Hand Shower	5	12	16	20	26			
MODEL EX007/I/X with Easy Clean fixed Shower Head		13	17	22	27			
MODEL EX008/I/X 180mm Easy Clean Deluge Shower Head 220mm Easy Clean Deluge Shower Head		17	21	26	32			
		17	21	26	32			
MODEL EX009/X 180mm Easy Clean Deluge Shower Head 220mm Easy Clean Deluge Shower Head with Easy Clean Hand Shower with Multi function Hand Shower		15.5	18	25	31			
		15.5	18	25	31			
		11	14	18	25			
		10.5	13	17	24			
MODEL EX009/I 180 x 150mm Square Deluge Shower Head with Square Hand Shower		15.5	19	25.5	31.5			
		12	16	20	26			

Important care of your product

The controls and plate should be maintained by wiping with a soft, damp, clean cloth then polished using a dry duster. **NO** abrasive powder, detergents or polishes should be used. Cleaner containing alcohol, acid or corrosive chemicals should not be used. **Note**, some household bleaches and denture cleaners can damage plated or coloured finishes and if splashed onto a fitting should be immediately washed off with cold water. If these instructions are followed we believe this fitting will give many years of satisfactory use. We have a policy of continuous improvement and reserve the right to change specification without notice.

Guarantee - The Matki Elixir shower mixer is guaranteed for a period of 5 years against defects of materials and workmanship from date of purchase, subject to correct installation, maintenance and use in accordance with this instruction leaflet. Please retain proof of purchase. During the guarantee period parts will be replaced or repaired at our option. No labour costs will be reimbursed unless prior agreement has been obtained from Matki Plc in writing. This guarantee is offered as an extra benefit and does not affect your statutory rights as a consumer in any way whatsoever.